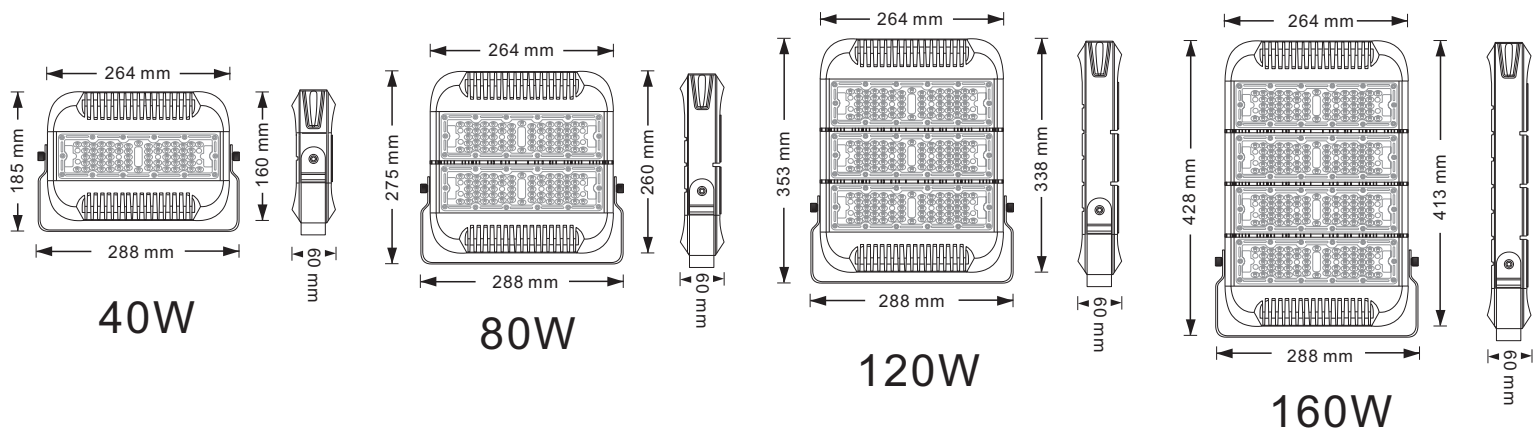


Abstand Distance	LUX ₁	LUX ₂	LUX ₃
	2m	4m	8m
40W	720	180	45
80W	1441	360	90
120W	2188	547	137
160W	2992	748	187

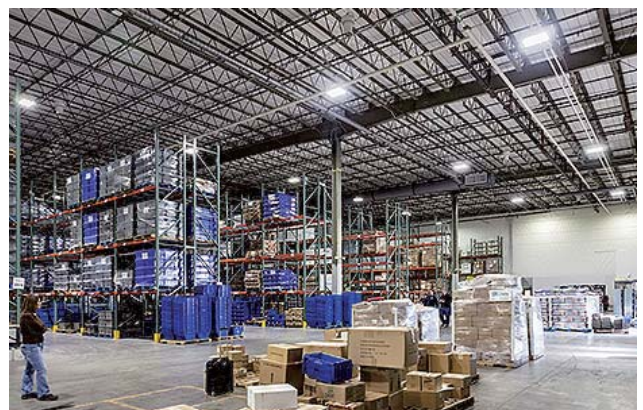
Features:

- Driver free, no limit of drivers life span
- AC85~300V wide input, global use
- Specially designed lens of High transmission rate 90%
6 beam angle optional: 30° / 60° / 90° / 120X90° / 150X80° Asymmetric
- 10KV resistance, very strong quality for outdoor use
- No flickering even by camera

Size: (mm)



Application:



LED flood light is widely used in shopping center, exhibition hall, parking lot, stadium, gymnasium, billboard, park, statue, government lighting decoration project, landmark or building, public square and passage, building connecting passage, and other indoor or outdoor light applications.